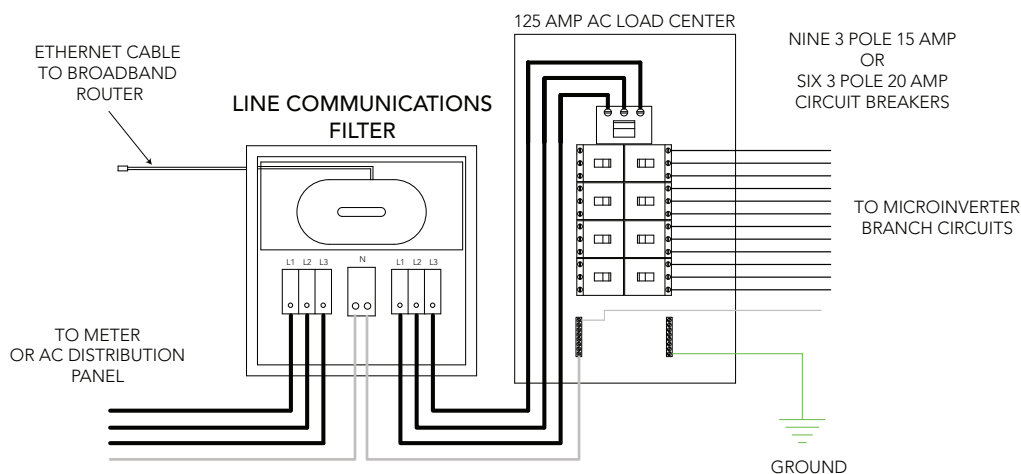


Enphase[®] LCF



In commercial applications, **Enphase Line Communications Filters (LCFs)** separate networking domains across the Enphase Microinverter installation site. Just as with the Envoy, the LCF collects monitoring data gathered from the Enphase Microinverters and transmits that data to the Enphase Enlighten[®] software for monitoring and analysis.

Each Enphase LCF contains an Envoy[®] Communications Gateway and terminations for phase conductor lines in and out. By running phase conductors through the LCF, it filters the communication and eliminates any potential inter-Envoy crosstalk.



UNIT RATINGS		ELCF-120-001
Operating voltage		208/240 VAC
Maximum voltage		600 VAC
Continuous current		100 Amps
Maximum overcurrent protection device		125 Amps
Short circuit current		10 kA rms symmetrical
NUMBER OF MICROINVERTERS SUPPORTED		
208 VAC three-phase, approx 36 kW AC		
- M250-60		150 Microinverters
- M215-60		166 Microinverters
- M190-72		189 Microinverters
- M210-84		171 Microinverters
240 VAC single-phase, approx 24 kW AC		
- M250-60		100 Microinverters
- M215-60		111 Microinverters
- M190-72		126 Microinverters
- M210-84		114 Microinverters
TERMINAL BLOCK DATA		
L1, L2, L3		Single 2/0 maximum
Neutral		2/0 maximum and 350 mcm maximum
Equipment grounding		4 AWG maximum
MECHANICAL DATA		
Operating temperature range		-40°C to +65°C
Power consumption		5 W
Dimensions (WxHxD)		15.75" x 15.75" x 6.00"
Weight		30.5 lbs
Cooling		Natural convection—no fans
Enclosure environmental rating		Outdoor—NEMA TYPE 4
FEATURES		
Communications interface		Ethernet, 10/100 auto-sensing, auto-negotiating
Warranty		One year
Compliance		UL508A

To learn more about Enphase Microinverter technology, visit enphase.com

